

# ROBOTIC HEAD FOR BROADCAST CAMERAS

## **SPIRIT** HEAD

Remote control advanced camera gears

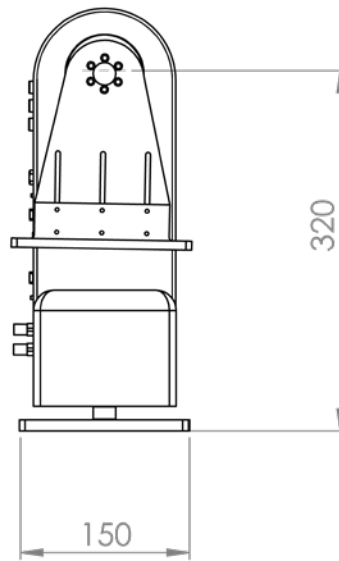
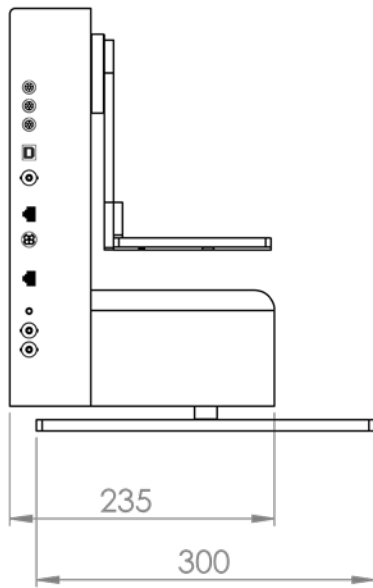


SPIRIT HEAD our line of robust, precision designed remote heads that support a camera/optics pair weighing up to 12 kg (26 lbs).

All the camera and optical unit hardware is contained in one area of the unit with a variety of connector options available.

SPIRIT HEAD comes in different sizes to fit various camera units.

# HEAD



(Modèle présenté : L)

## Technical specifications

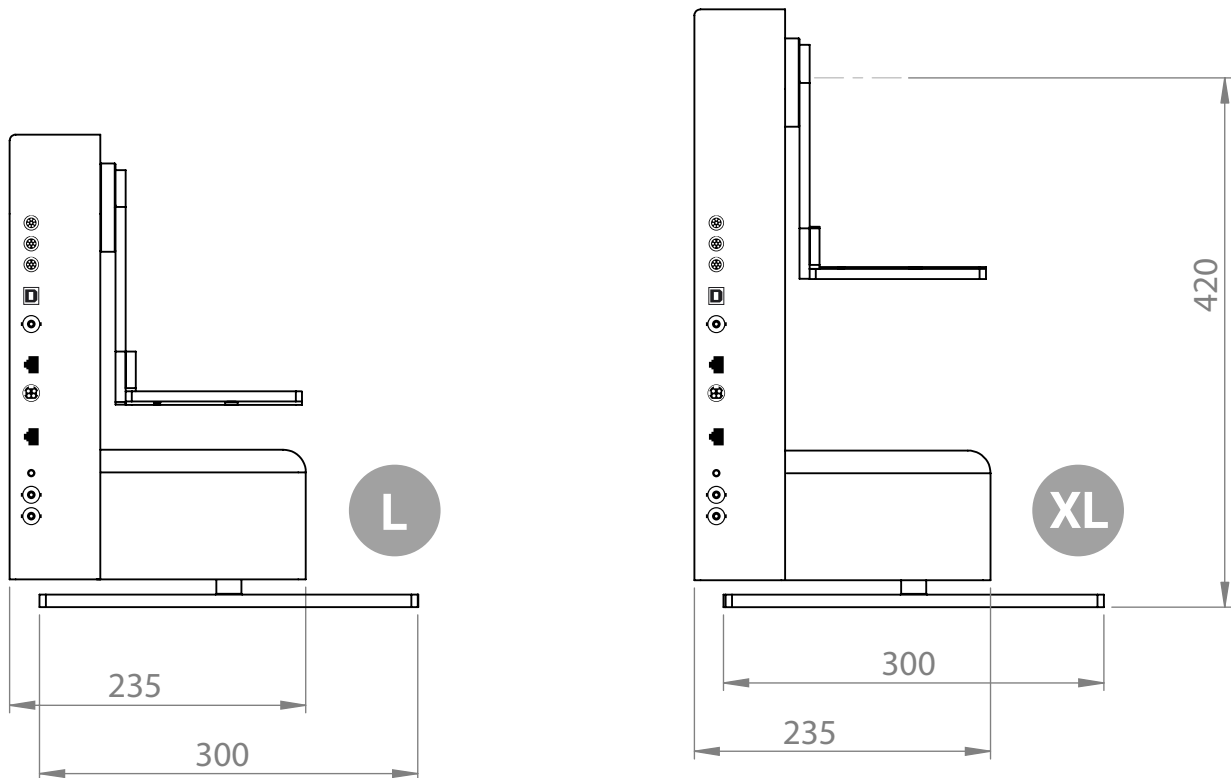
Models	M / L / XL
Encoder	Incremental with Automatic Homing
Pan/Tilt resolution	300 000 Counts/rev
Pan/Tilt accuracy	0.0012°
Pan travel	720° (Software limited)
Tilt travel	43.2° (M) / 67.2° (L) / 109.2° (XL)
Max velocity	120°/s
Torque	9.6 Nm
Payload	10kg
Optical Axis Height	320mm (L) / 420mm (XL)
Remote control	IP with Web interface, SPIRIT Joystick, multiCAM Suite, UDP (SPIRIT protocol)
Genlock	Black Burst / Tri-Level
Tracking	Free-D (auto-tracked) incl. lens data (Canon or Fujinon)
Power	24Vdc 5A

## Multiples connections

- ① 1. Canon or Fujinon digital optical control (lemo 8 pts)
- ② 2. Analog zoom control and coder (lemo 7 pts)
- ③ 3. Analog focus control (lemo 7pts)
- ④ 4. USB port for maintenance
- ⑤ 5. Genlock SDI IN
- ⑥ 6. Head command data
- ⑦ 7. Supply (Kycon 24V)
- ⑧ 8. Blackmagic camera control data
- ⑨ 9. IP address reset
- ⑩ 10. Blackmagic camera control via SDI IN
- ⑪ 11. Blackmagic camera control data (SDI OUT)

## Different sizes: M, L, XL

SPIRIT HEAD comes in a variety of sizes In order to adapt to the different choices of camera Sizes available, SPIRIT HEAD offered in M, L and XL.





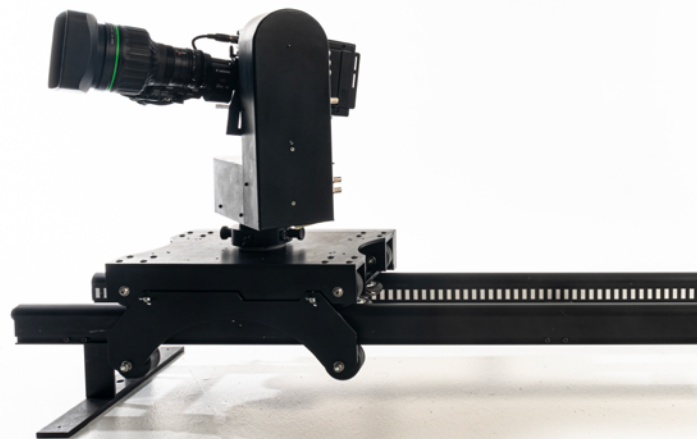
**VP  
ready**

### FreeD compatible

As with all the robotics in the SPIRIT line, HEAD is compatible with the FreeD protocol. The virtual production engine receives real-time information on Pan, Tilt, and Zoom from the robotic head seamlessly.

If you are pairing the Tracking information of the HEAD with another device of the SPIRIT range (such as LIFT, DOLLY...), we recommend the use of the TRACKER software which will aggregates the different signals into a single data item per camera.

**TRACKER**



**SPIRIT**

[www.multicam-systems.com](http://www.multicam-systems.com)

**multiCAM**  
systems



## PILOT



With the multiCAM PILOT solution, you benefit from the ergonomic and intuitive interface to **control up to 6 robotics and cameras at the same time**.

With it, you'll be able to preprogram and create incredibly precise movement sequences.



## CONTROL PANEL

We have designed control surfaces that allow operators precision control along with unparalleled ergonomics. With an IP connection, the desk can control the trolley and also the column, the head, the zoom, and the optical focus.

### Joystick

Control the robotic head including Zoom

### 12x buttons

Programmable backlit buttons (camera selection, preview, ...)

### Directions of control

Adjust the direction of movements

### Vitesse max.

Adjusts the maximum speed of Pan, Tilt, Lift, Slide

### Focus

Precise focus adjustment



And since an operator has only two hands, pedals can be added. The assignment of controls can be fully customized in PILOT.