

MOTORIZED TELESCOPIC COLUMN

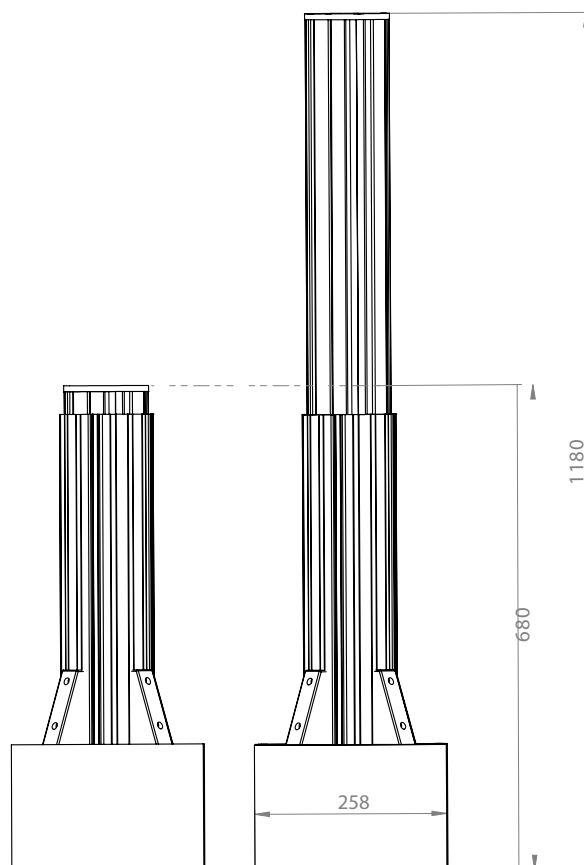
SPIRIT **LIFT**

Elevate your perspective

SPIRIT LIFT is a motorized column that raises the level of your productions.

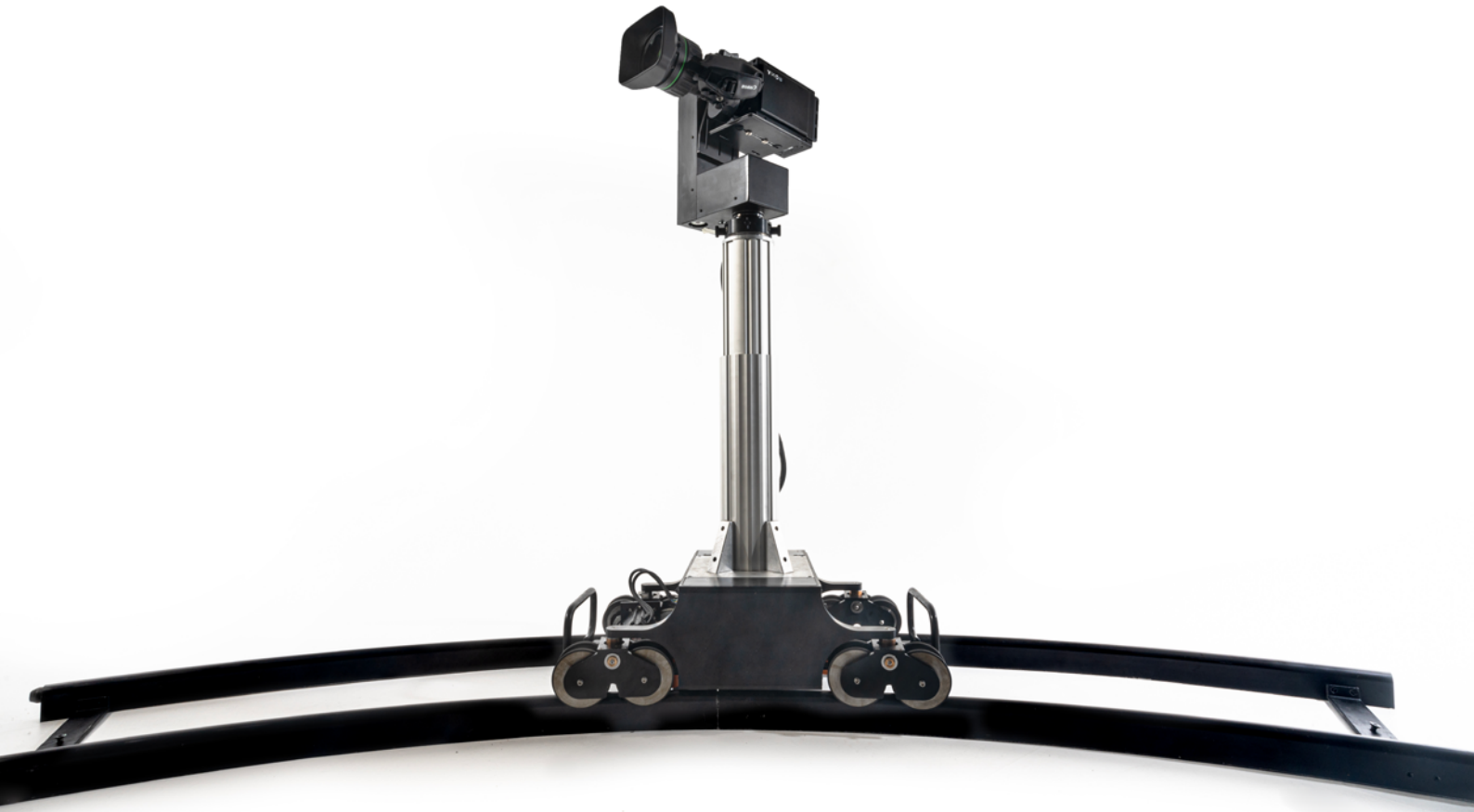
With a maximum extension of 110cm, the column expands the range of your shooting capabilities and re-energizes a classic PTZ device.

Coupled with a DOLLY and a HEAD, it brings the creativity of a crane with a small footprint on the ground!



Technical specifications

Encoder	Incremental
Resolution	1638 Counts/cm
Accuracy	0.00061 cm
Travel	44 cm
Max Velocity	0.086 m/s
Torque	100Nm or 150Nm
Height	66cm – 110cm
Remote control	IP with Web interface, SPIRIT Joystick, multiCAM Suite, UDP (SPIRIT protocol)
Genlock	Black Burst / Tri-Level
Compatibility	SPIRIT Dolly, Head, any PTZ
Tracking	FreeD (encoding data or auto-tracking with AR pack)
Network	2x RJ45 (Lift+Head)
Power IN	24Vdc 5A
Power OUT	24Vdc (XLR 7 points for HEAD or PTZ)
Dimensions	258 x 258 x 680-1180 mm
Weight	10.6 kg



VP
ready

FreeD compatible

As with robotics in the SPIRIT line, SLIDE can communicate its position in space in real-time via the FreeD protocol.

SPIRIT LIFT is self-tracked, meaning that no external optical tracking system is required to provide real-time position information.

TRACKER

With multiCAM TRACKER software, once you indicated the absolute position of the LIFT, you receives fully positional tracking data in your virtual production engine.

CONTROL INTERFACES

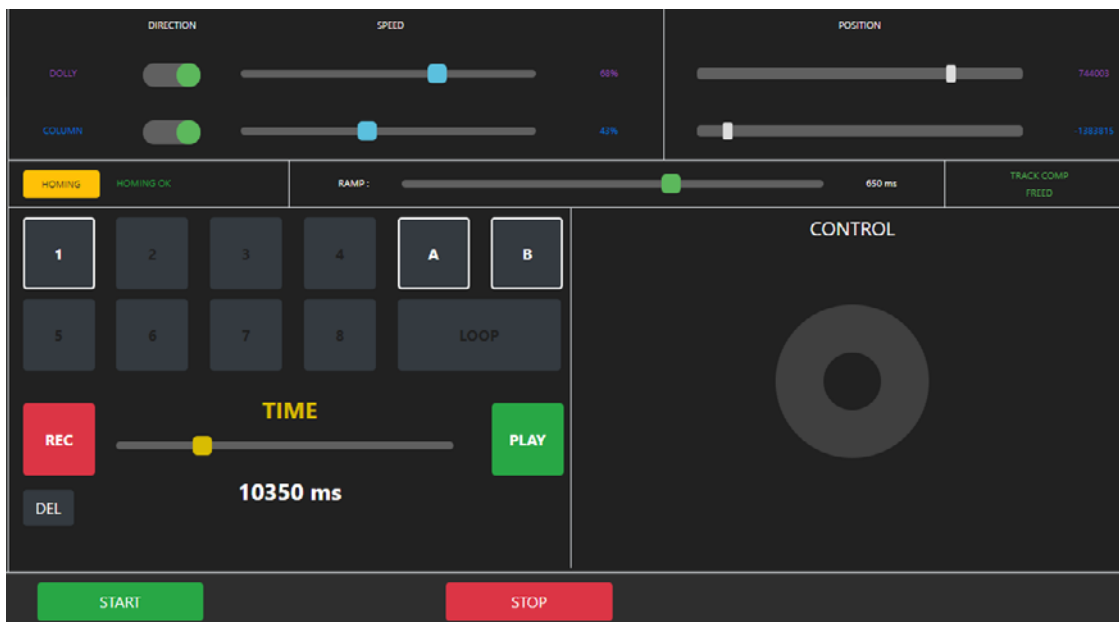
1. Web interface

All robotics in the SPIRIT line offer a web interface to set up the device:

- speed and ramping thresholds,
- travel directions

The interface is ergonomic and allows simple operations such as:

- piloting with a virtual joystick
- position saving
- position recalling at a given speed
- programming of movements (A/B) and loops



2. Control panel (option)

The panel controls a set of robotics in the SPIRIT line. It is particularly useful for piloting the head at the same time as a Slide or Dolly, for example.

3. multiCAM PILOT(option)

PILOT is a complete control interface allowing a single operator to take control of the entire robotic device.

PILOT



With the multiCAM PILOT solution, you benefit from the ergonomic and intuitive interface to **control up to 6 robotics at the same time**.

Program a sequence in «Ping-Pong» mode to generate a continuous movement that creates a dynamic camera sequence and allow you to stay focused on piloting the robotic head or PTZ camera.

