

MOTORIZED SLIDER

SPIRIT **SLIDE**

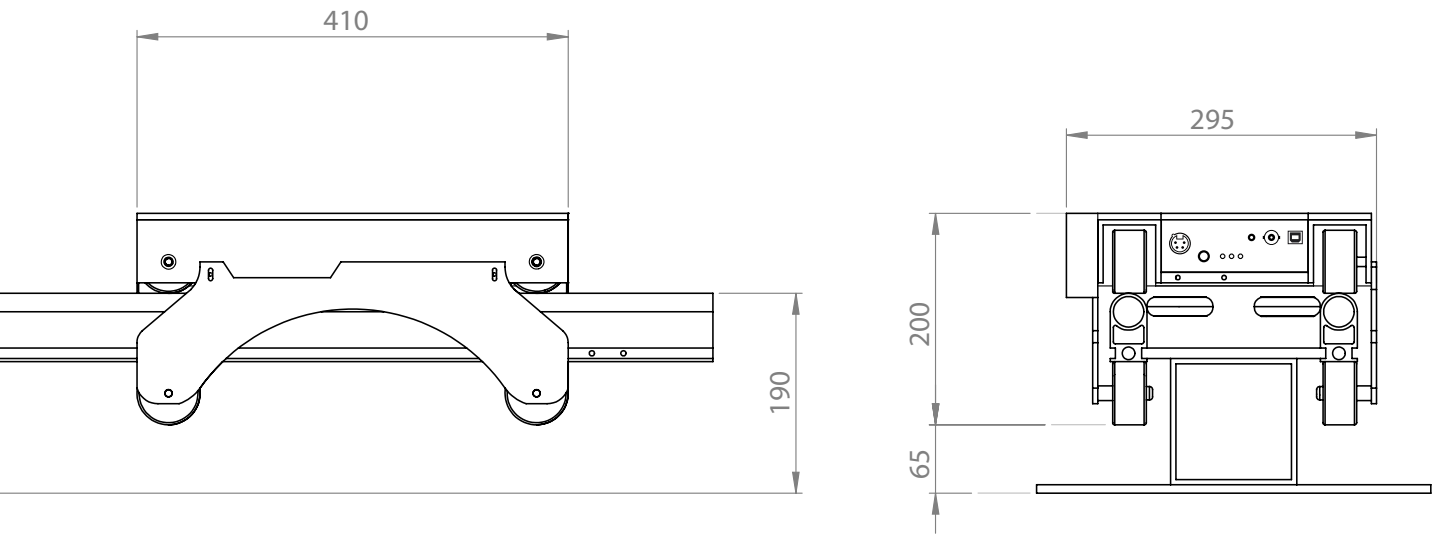
Smooth and silent at any speed



SPIRIT SLIDE is a compact, slider system exclusively on straight rails. Perfect for OB vans and other semi portable uses.

Compact in size, it offers a center distance of only 200mm. Discreet, light, and quiet, it can nevertheless accommodate a robotic head and any load up to 12kg!

A variant of the SLIDE is available for a ceiling attachment. The rails are variable in length and interlocking. A single rail can go up to 15 meters in length!



Technical specifications

Encoder	Incremental / Track Encoded
Resolution	1185 Counts/cm
Accuracy	0.000844 cm
Travel	18 Km
Max Velocity	0.85 m/s (Soft limited) Max theoretical 4 m/s
Torque	6.5 Nm
Remote control	IP with Web interface, SPIRIT Joystick, multiCAM Suite, UDP (SPIRIT protocol)
Genlock	Black Burst / Tri-Level
Compatibility	SPIRIT Head, PTZ, bumper
Tracking	Free-D (auto-tracking encoder) via RJ45
Power IN	24Vdc 8A
Power OUT	12Vdc (XLR 3 points)
Dimensions	410mm x 300mm x 200 mm
Weight	9.3 kg



VP
ready

FreeD compatible

As with robotics in the SPIRIT line, SLIDE can communicate its position in space in real-time via the FreeD protocol.

SPIRIT SLIDE is self-tracked, meaning that no external optical tracking system is required to provide real-time position information.

TRACKER

With multiCAM TRACKER software, once you indicated the absolute position of the SLIDE, you receives fully positional tracking data in your virtual production engine.

CONTROL INTERFACES

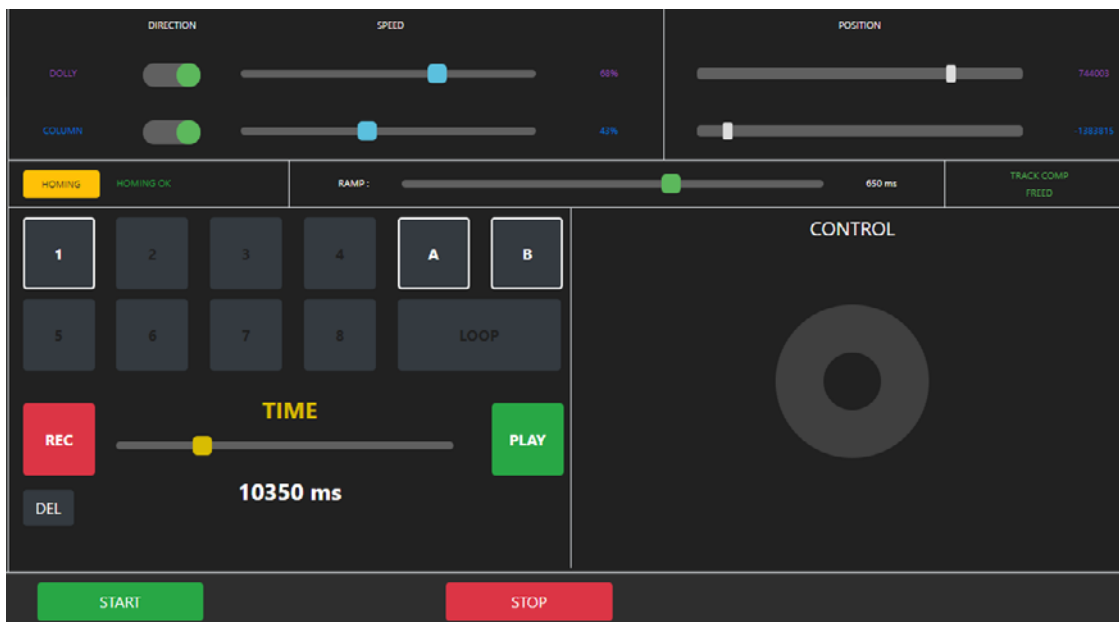
1. Web interface

All robotics in the SPIRIT line offer a web interface to set up the device:

- speed and ramping thresholds,
- travel directions

The interface is ergonomic and allows simple operations such as:

- piloting with a virtual joystick
- position saving
- position recalling at a given speed
- programming of movements (A/B) and loops



2. Control panel (option)

The panel controls a set of robotics in the SPIRIT line. It is particularly useful for piloting the head at the same time as a Slide or Dolly, for example.

3. multiCAM PILOT(option)

PILOT is a complete control interface allowing a single operator to take control of the entire robotic device.

PILOT



With the multiCAM PILOT solution, you benefit from the ergonomic and intuitive interface to **control up to 6 robotics at the same time**.

Program a sequence in «Ping-Pong» mode to generate a continuous movement that creates a dynamic camera sequence and allow you to stay focused on piloting the robotic head or PTZ camera.

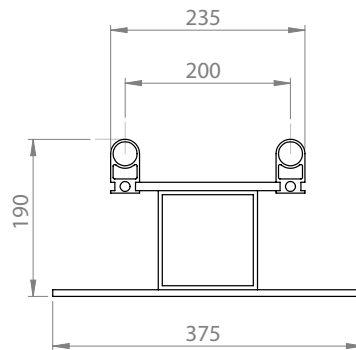


multiCAM designs and manufactures all the accessories that allow SLIDE to adapt to different configurations. You have a variety of options to set up rail system to meet the artistic requirements of the production and the constraints of the terrain.

RAILS

Straight sections (exclusively)

We can make all lengths custom-made, but usually we use two section lengths: 90cm and 1m80.



HANGED RAILS

This «upside-down» version of the SLIDE allows you to limit the grip on the ground. It requires a 30cm triangular truss and a lack of vertigo on the camera operators part.

